



# Inspiring Solutions for National Security.

**[dstl]**

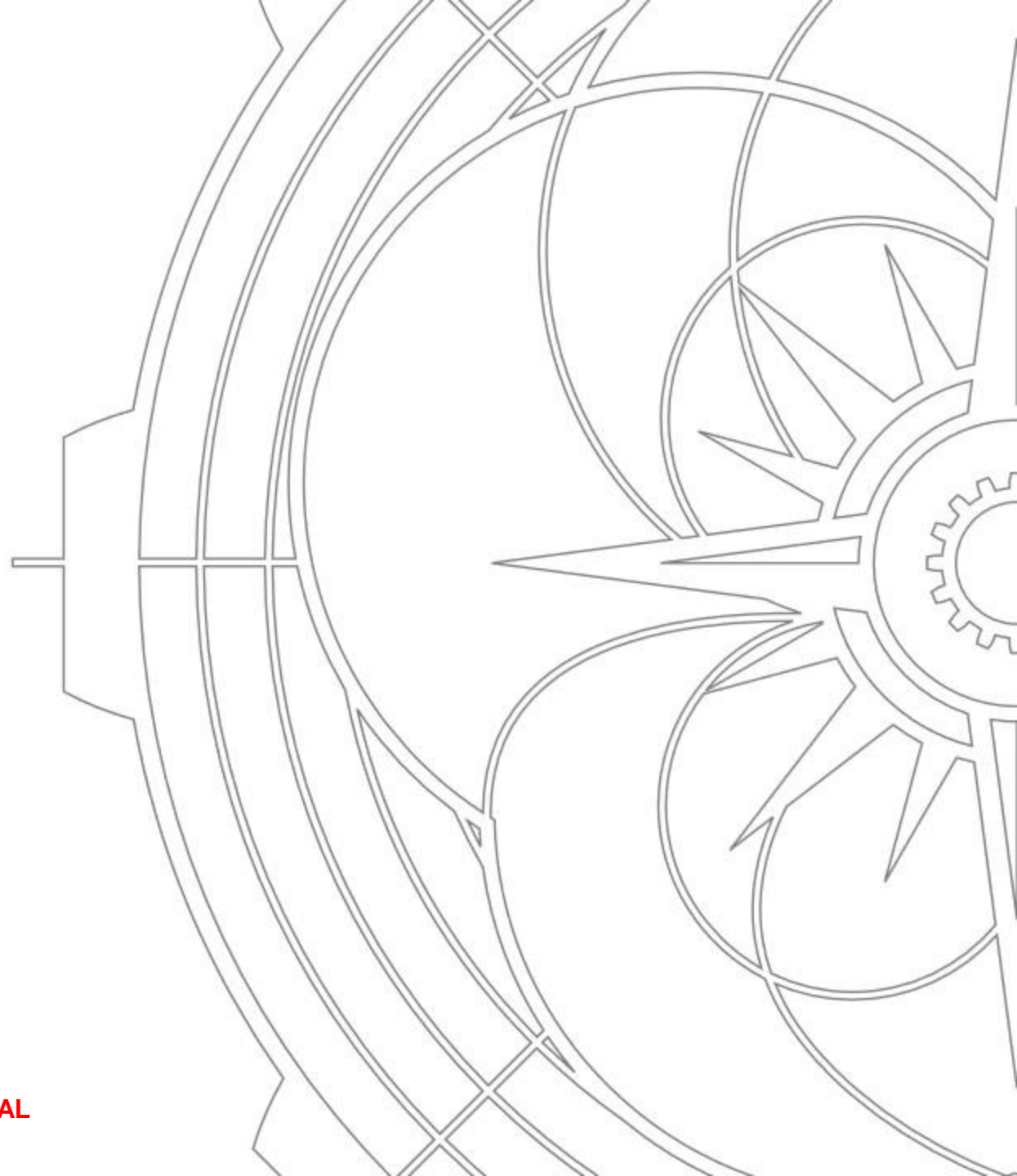
The Science Inside

OFFICIAL

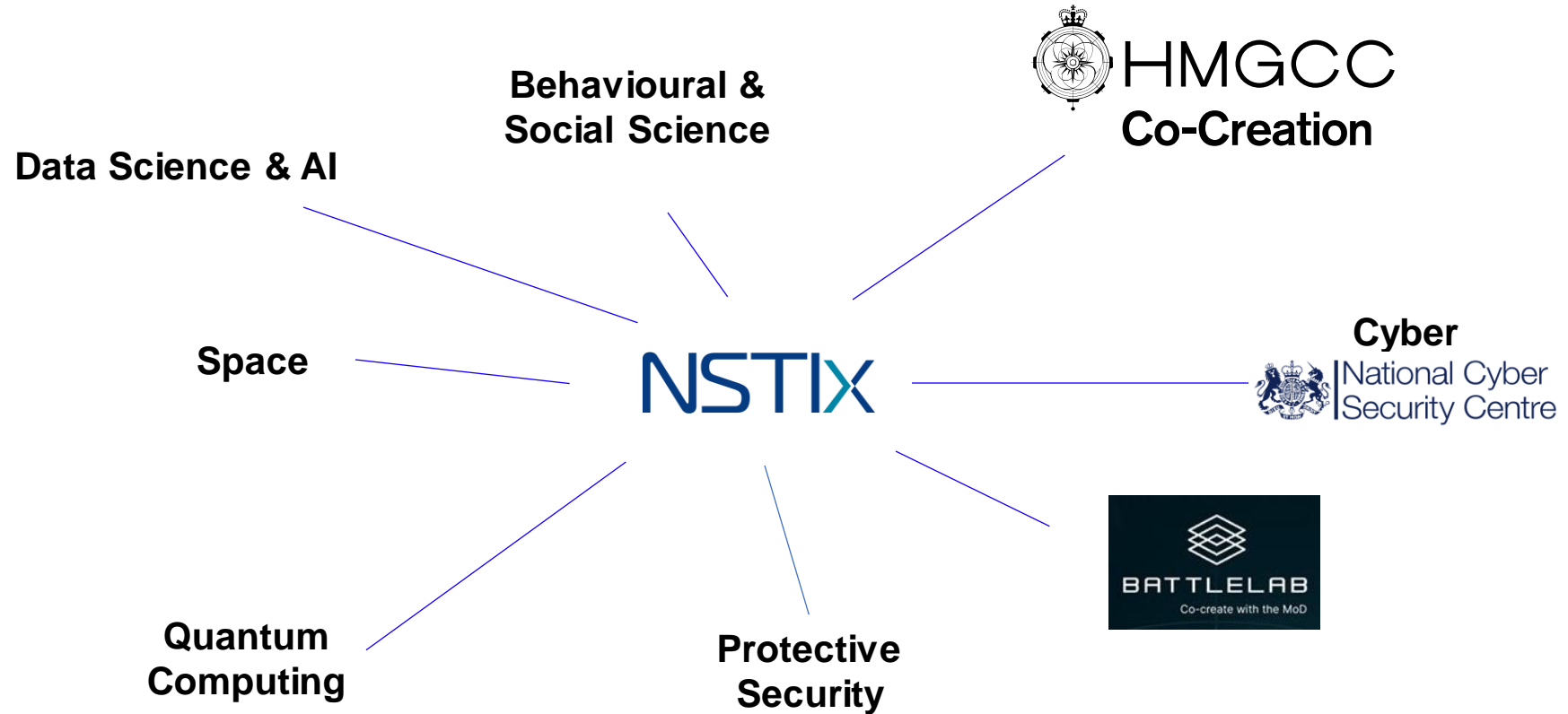
# Agenda

- Introduction to HMGCC Co-Creation
- Challenge overview & requirements
- Challenge Timescales
- Questions

OFFICIAL



# The Co-Creation Network







# How We Work

National security  
community

Operational  
challenges



## Networks

Industry, Academia, Government

Specialist facilities  
& expertise

Physical & digital  
space



New capabilities

Operational impact

# Community Collaborators





# Requirement

SIS have a requirement to streamline screening individuals of interest, potentially using automation and/or AI to develop further insights.

# Challenge Timescales

**01**

Competition Launch

Monday 18 March

**02**

Briefing Event

Tuesday 9 April

**03**

Clarification questions  
submission date

Friday 19 April

**04**

FAQ document  
circulated

Tuesday 23 April

**05**

Deadline for  
applications

Thursday 9 May

**06**

Finalist notification

Wed 22 May

**07**

Pitch day

Thurs 30 May

**08**

Budget

£60k+

# Questions



# Evaluation Criteria

- Proposals will be scored 1 – 5 on the following criteria:
- Timescale – will the proposal deliver a Minimum Viable Product within the time period defined within this Challenge Form?
- Does the proposal fit within the Challenge scope, taking into consideration cost and benefits?
- Is the organisation / delivery team credible in this technical area?
- Is the technical solution credible?
- Will the proposal deliver a full or partial solution? Has the proposal identified collaborators if a partial solution or is willing to work collaboratively with others?
- Is it innovative?





# Inspiring Solutions for National Security

**[dstl]**

The Science Inside

OFFICIAL

## **Terms and Conditions:**

This document is shared under agreed terms of confidentiality & non-disclosure.

No intellectual property rights are granted by the delivery of this document. The publication, or disclosure of its content in full or in part is not permitted.

All material is subject to crown copyright protection & shall not be reproduced in full or in part.

If you have received this document in error, please contact us immediately by e-mail at [cocreation@hmgcc.gov.uk](mailto:cocreation@hmgcc.gov.uk).

Please quote the name of the sender and the addressee and delete it from your system.

© Crown Copyright 2023

**OFFICIAL**

